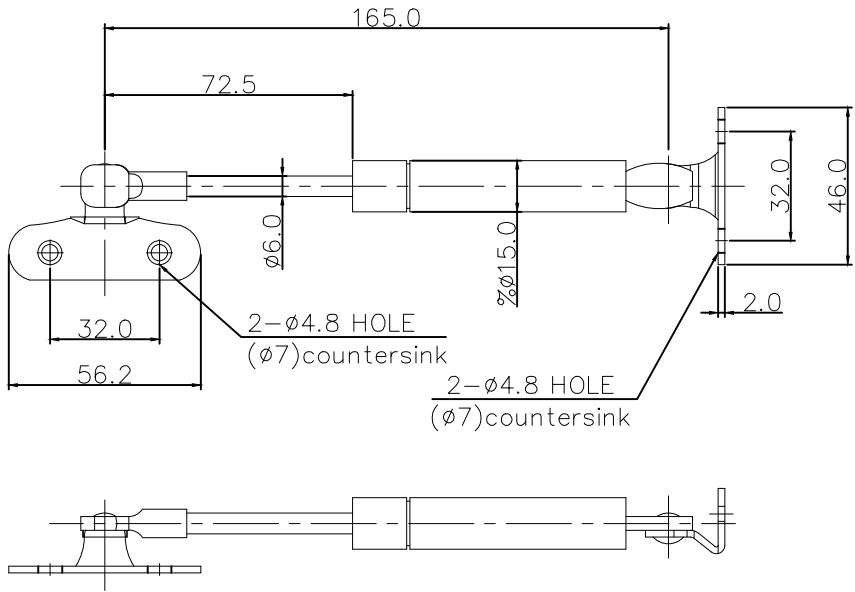


REVISIONS			
REV.	DESCRIPTION	APPR	DATE
△			
△			



품 번	허용중량(kg)
D-165-5	5
D-165-7	7
D-165-9	9

MATERIAL	STKM11A, S20C	Drawn	
FINISH	회색도장, CR	Checked	
SCALE	1 : 1	Designed	
UNITE	mm	Approved	
MODEL NAME	가스쇼바	Title	MS-D-165